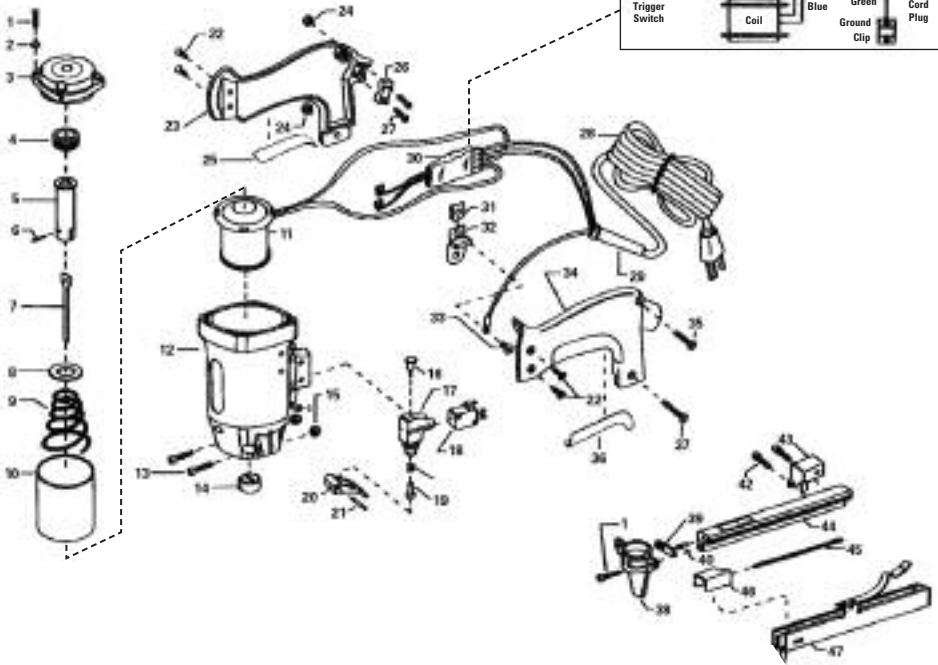
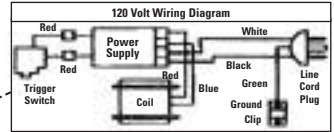


ROBERTS 10-600

3/16" CROWN ELECTRIC STAPLER



REPLACEMENT PARTS LIST

SKU#	Description	Contents of Kit	
		Part #	Description
10-600-01	Cap Assembly	1	Hex Bolt (4)
		2	Washers (4)
		3	Cap Casting
10-600-02	Driver Assembly	4	Retainer
		5	Drive Plunger
		6	Roll Pin
		7	Driver Blade
10-600-03	Solenoid Assembly	8	Retaining Washer
		9	Return Spring
		10	Sleeve
		11	Coil Assembly w/ Lead Wires
10-600-04	Head Assembly	12	Head Casting
		13	Bolts (2)
		14	Nose Bumper
		15	Lock Nuts

REPLACEMENT PARTS LIST *(continued)*

SKU #	Description	Contents of Kit	
		Part #	Description
10-600-05	Trigger Assembly	16	Switch Plunger
		17	Switch Housing
		18	Switch
		19	Plunger
		20	Trigger
		21	Trigger Pin
10-600-06	Handle Assembly	22	Screws (2)
		23	Handle (Right)
		24	Nut
		25	Grip Insert (Right)
		34	Handle (Left)
		35	Bolts
		36	Grip Insert (Left)
		37	Bolt
10-600-07	Fuse Holder Assembly	26	Fuse Holder
		27	Screws (2)
10-600-08	Cord Assembly	28	Power Cord - 14 gauge
		29	Connector Jacket
10-600-09	Power Supply	30	Power Supply
10-600-10	Nose Casting	38	Nose Casting
10-600-11	Magazine Assembly	39	Plate
		40	Pin
		42	Bolt
		43	Magazine Support
		44	Rack
		45	Spring
		46	Pusher
		47	Magazine Base
10-600-12	Staple "Pusher" & Spring	45	Spring
		46	Staple Pusher
10-600-14	Spare Fuses		Set of 3 Fuses