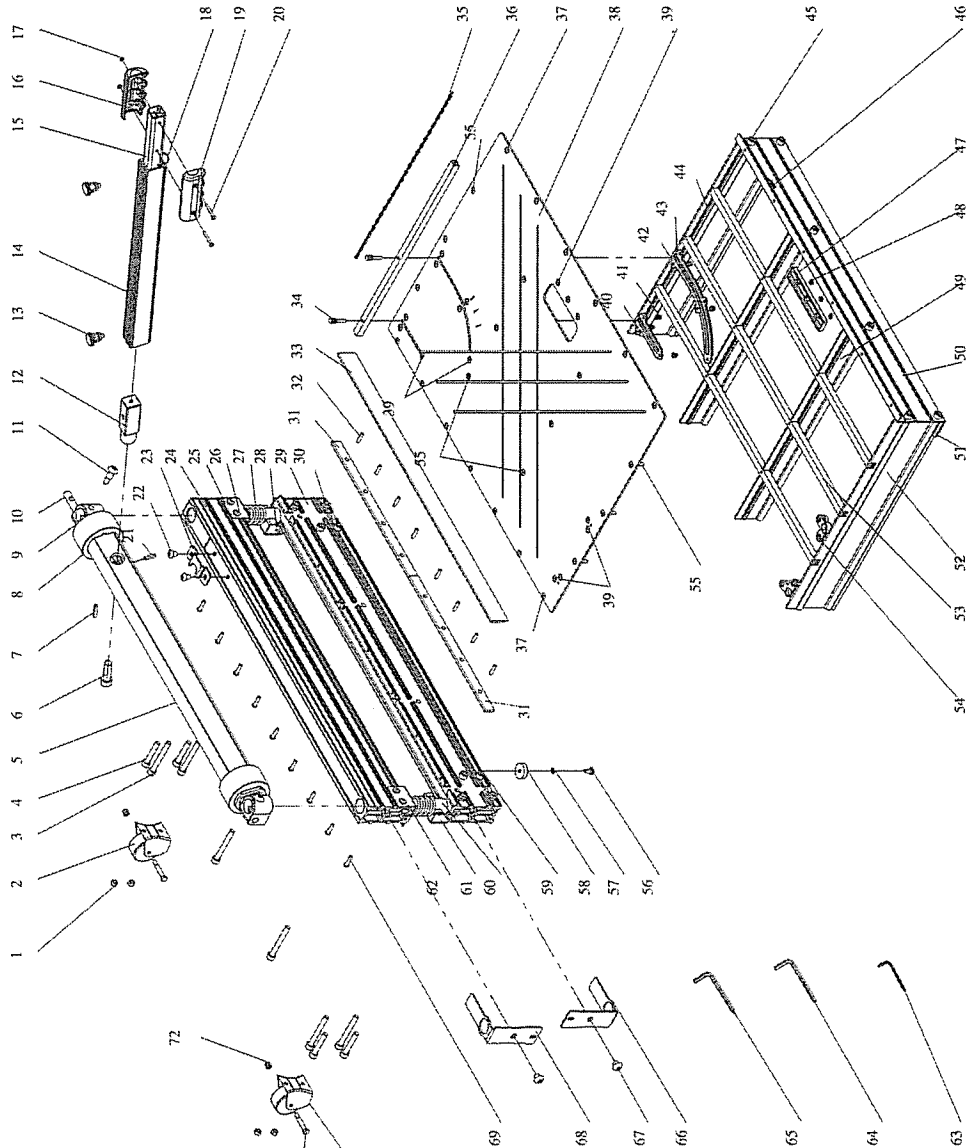


10-68

PART LIST



WARNING
VERY SHARP BLADE



QEPParts.com

888-634-4289

An iBuy Stores Company

PART LIST**WARNING**
VERY SHARP BLADE

	Parts	Q'ty		Parts	Q'ty
1	Nut M6	4	37	Hex Head Screw M5 × 8	13
2	Ground Wheel	2	38	Working Table	1
3	Hex Head Bolt M8 × 65	6	39	Hex Head Screw M5 × 12	15
4	Hex Head Bolt M8 × 45	4	40	Nut Straight Locating Slot	1
5	Aluminum Eccentric Cam	1	41	Nylon Lock Nut M5	12
6	Hex Head Bolt M12 × 40	1	42	Nut Curve Locating Slot	1
7	Spring Pin Ø6 × 28	2	43	Hex Nut M5	4
8	Nylon Wheel	2	44	Working Table Frame B	1
9	Nylon Wheel Bracket	2	45	Hex Head Screw M8 × 8	4
10	Rotating Shaft	2	46	Hook B	1
11	Customized Bolt M10	2	47	Carrying Handle	1
12	Handle Base	1	48	Thin Nut M5	3
13	Pull Pin	2	49	Working Table Supporting	2
14	Handle-1	1	50	End Table Frame	1
15	Handle-2	1	51	Rubber Feet-1	2
16	Right ABS Handle	1	52	Working Table Frame A	1
17	Thin Nut M4	2	53	Cross Bar	3
18	Hook A	1	54	Nut Base	2
19	Left ABS Handle	1	55	Hex Head Screw M5 × 20	12
20	Cross Head Screw M4 × 31	2	56	Cross Head Screw M5 × 10	2
21	Hex Headless Screw M6 × 20	1	57	Plain Washer Ø5	2
22	Hex Head Screw M8 × 10	2	58	Rubber Feet-2	2
23	Handle Stopper	1	59	Hex Head Screw M6 × 45	4
24	Blade Holder	1	60	Guide Rod	2
25	Top Spring Supporting B	1	61	Button Spring Supporting A	1
26	Cross Head Screw M6 × 10	4	62	Top Spring Supporting A	1
27	Spring	2	63	Allen Wrench M5	1
28	Button Spring Supporting B	1	64	Allen Wrench M6	1
29	Blade Cutting Base	1	65	Allen Wrench M8	1
30	Nylon Lock Nut M8	4	66	Aluminum End Board B	2
31	Nylon Bar	2	67	Hex Head Screw M10 × 8	4
32	Hex Headless Screw M5 × 20	8	68	Aluminum End Board A	2
33	Blade	1	69	Hex Head Screw M6 × 20	9
34	Knurled Pin M5	2	70	Ground Wheel Base	2
35	Chain	1	71	Hex Screw M6 × 35	2
36	Cutting Guide	1	72	Nylon Lock Nut M6	2

888-634-4289

An iBuy Stores Company