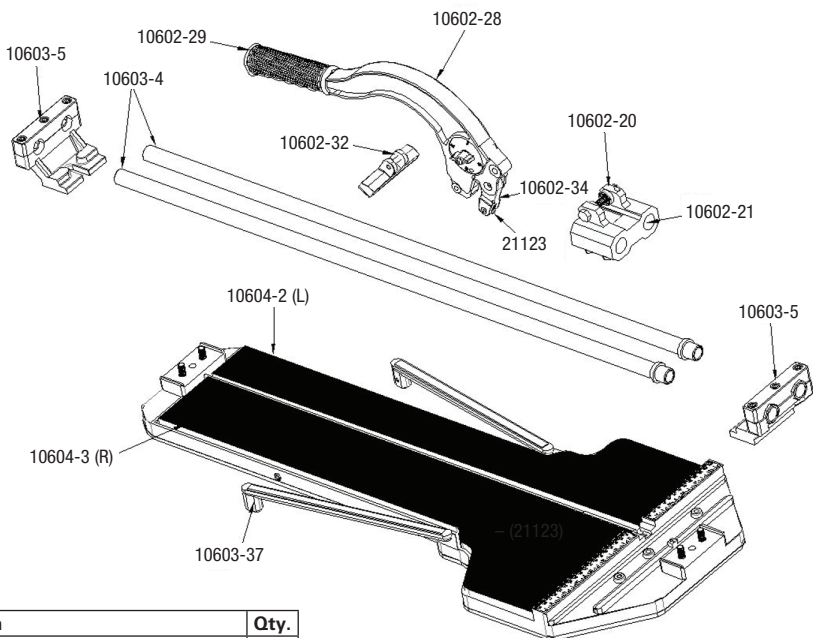
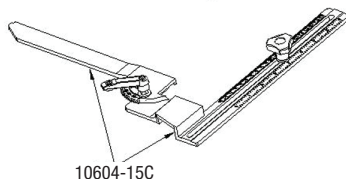


PARTS LIST



Part No.	Description	Qty.
10604-2/3	Replacement Pads	2
10603-4	Rail Bars	2
10603-5	End Bracket	2
10604-15C	Guide (complete with clamp lever)	1
10602-20	Bearing Assembly	1
10602-21	Bearing Assembly Only	1
10602-28	Handle with Grip	1
10602-29	Grip	1
10602-32	Breaker Bar	1
10602-34	Holder for Ball Bearing Wheel	1
10602-36	Handle complete with holder for ball bearing wheel, breaker bar & slide assembly with bearings (20, 21, 28, 32, 34)	1
10603-37	15-3/4" Aluminum Arms	2
21123	7/8" Titanium Coated Tungsten Carbide Ball Bearing Cutting Wheel	1



GENERAL MAINTENANCE

- Oil should not be used on the 10600BR Brutus Tile Cutter. Use of oil will cause eventual gumming and sticking of the movable parts as the oil combines with dirt and ceramic tile dust.
- Wear is normal in the chrome plated rails and can be evenly distributed by occasional rotation of each of the two rails. For cutters with hex bolts holding the rails, loosen each hex bolt and slightly rotate the rails. Retighten the hex bolts when finished.
- The only part routinely needing replacement is the carbide scoring wheel. All other parts are also available.