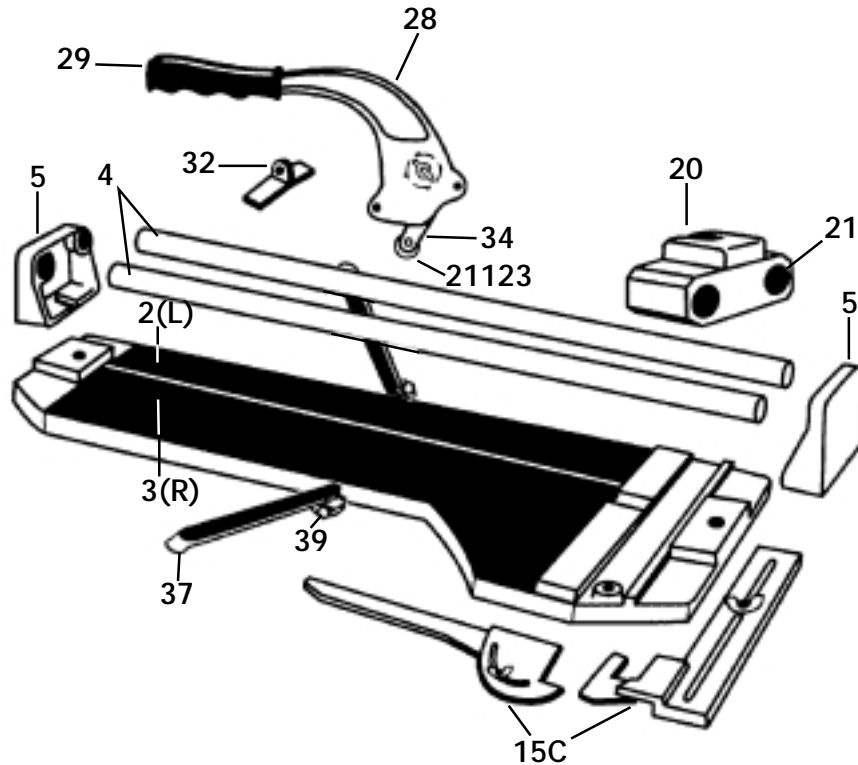




27" Professional Tile Cutter

EXPLODED PARTS



PARTS LIST

DESCRIPTION	STK#
Box*	10800
Replacement Pads (2)	10800-2/3
Rail Bars (2)	10800-4
End Brackets	10800-5
Guide (complete with new clamp lever)	10800-15C
Slide assembly	10800-20
Bearing Assembly Only	10800-21
Handle with Grip	10800-28
Grip	10800-29
Breaker Bar	10800-32
Holder for Titanium Coated Ball bearing Wheel	10800-34
Handle (complete with Wheel Holder 20,21, 28, 32, 34)	10800-36
12" Aluminum Arm (2)	10800-37
White Round Head Screw	10800-39
7/8" Titanium coated Bearing Cutting Wheel	21123