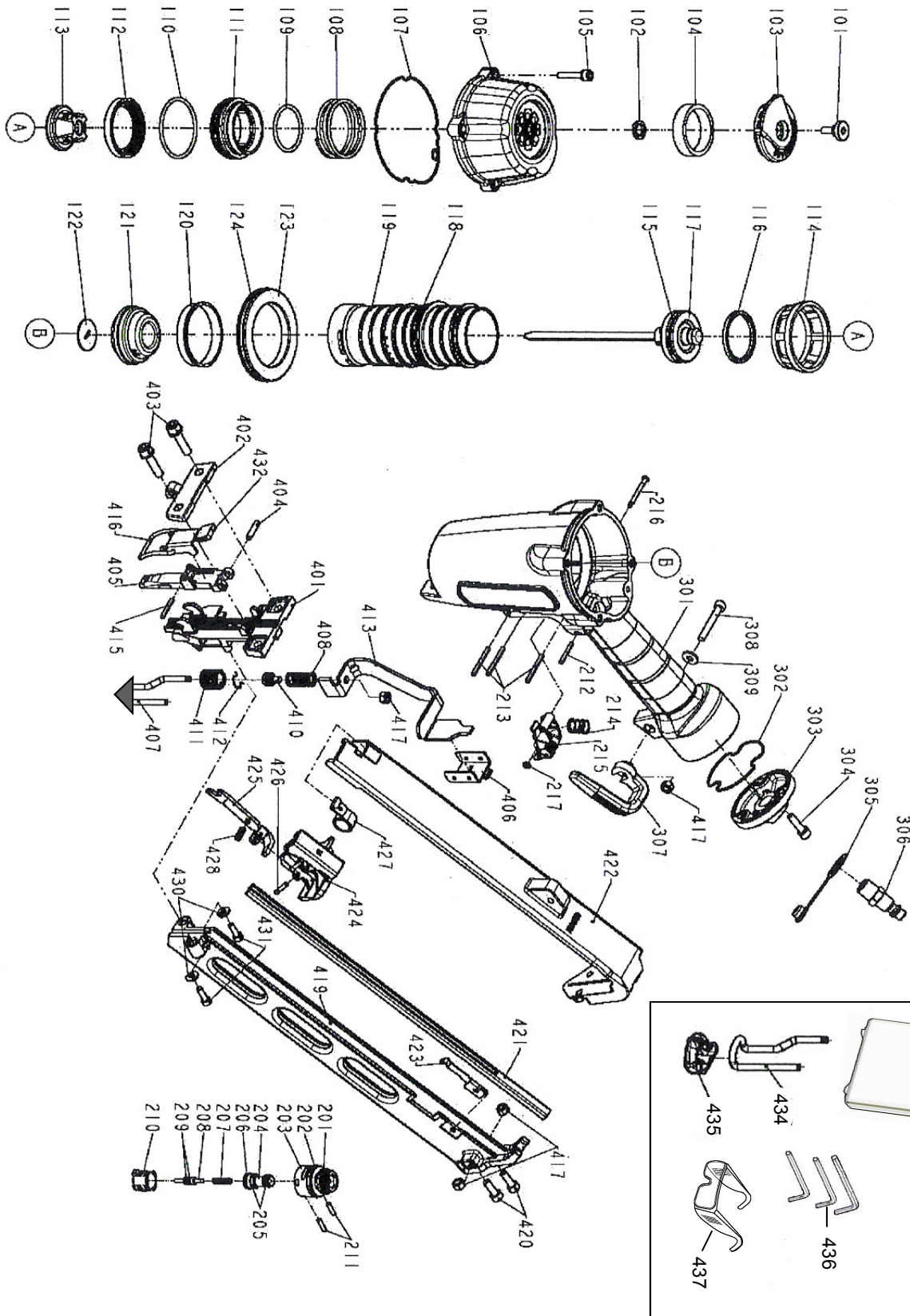


# EXPLODED VIEW—462A



## MODEL 462A - PARTS LISTING

ITEM NO.	PART NO.	DESCRIPTION
101	46501	Deflector Bolt (3M2353)
102	46502	Rubber Pad
103	46503	Deflector
104	46504	Muffler
105	46506	Bolt Assy
106	46507	Cap
107	46508	Packing
108	46509	Compression Ring
109	46010	O-Ring
110	46511	O-Ring
111	46512	HD. Valve Piston
112	46513	Collar
113	46514	Seal
114	46515	Cylinder Press Ring
115	46516	O-Ring
116	46517	Piston Ring
117	46518	Driver Nut
118	46519	O-Ring
119	46520	Cylinder
120	46521	Cylinder Ring
121	46522	Bumper
122	46523	Driver Guide
123	46524	Cylinder Spacer
124	46525	O-Ring
201	46526	O-Ring
202	46527	O-Ring
203	46528	Plunger Cap
204	46529	Valve Plunger
205	46530	O-Ring
206	46531	O-Ring
207	46532	Spring
208	46533	Plunger
209	46534	O-Ring
210	46535	Trigger Valve Head
211	46536	Spring Pin
212	46537	Spring Pin
213	46538	Spring Pin
214	46539	Spring
215	46540	Trigger Unit
216	46541	Trigger Pivot Pin
217	46542	Urethane Retainer
301	46543	Gun Body Unit
302	46544	Gasket
303	46545	End Cap

ITEM NO.	PART NO.	DESCRIPTION
304	46546	Bolt Assy
305	46547	Air Plug Cap
306	46548	Air Plug
307	46549	Spring Retainer
308	46550	Hex. Soc. Hd. Bolt
309	46551	Flat Washer
401	46552	Driver Guide
402	46553	Driver guide Cover B
403	46554	Bolt Assy
404	46555	Fixed Pin
405	46556	Driver Guide Cover A
406	46557	Safety Guide
407	46558	Safety (V-Tech)
408	46559	Safety Spring
410	46560	Link Rod
411	46561	Adjust Axle
412	46562	Ring
413	46563	Safety B
415	46564	Spiral Pins
416	46565	Nose Latch
417	46567	Lock Nut
419	46568	Magazine A
420	46569	Hex. Soc. Hd. Bolt
421	46560	Steel Channel
422	46561	Magazine B
423	46562	Stop Nail Plate
424	46563	Protecting Hood Cover
425	46564	Pusher Finger
426	46565	Spring Pin
427	46566	Spring Unit
428	46567	Pusher Spring
430	46568	Flat Washer
431	46569	Hex. Soc. Hd. Bolt
432	46570	Pusher Cushion
433	46571	Carry Case
434	46572	Conventional Safety
435	46573	Protective Casing
436	46574	Wrench Set
437	46575	Safety Glasses
438	46576	Lubricant (not shown)
439	46577	Owners Manual